

***Hako***

---

# Instruction Manuel

Hako-Jonas 980 V / VH (6502.30/6502.50)

## Introduction

Dear customer,

It is our desire that the good characteristics of the Hako-Jonas 980 V/VH should justify the confidence you demonstrated by making this purchase.

Before first operation of your Hako-Jonas 980 V/VH, read these instructions carefully. The manual provides valuable information about operation, service and maintenance.



as used in this manual identifies items relevant to safety. Please observe the safety provisions (see chapter 1).



Before first operation of the machine, read these instructions and safety information carefully and comply with them.

Please be advised explicitly that we cannot accept any legal issues out of the contents of this manual.

If repair work has to be performed make sure that only genuine spare parts are used; only genuine spare parts may guarantee a dependable machine.

Gültig ab : 980 V April 2004  
980 VH April 2004

**Hako-Werke GmbH**  
**D-23843 Bad Oldesloe**  
**Hamburger Str. 209-239**  
**Telefon ++49 (04531) 8060**

## Proper Use

### Bestimmungsgemäße Verwendung

The Hako-Jonas 980 V/VH sweeper has been exclusively designed for collecting dry and moist matter from floor surfaces in e.g. factories, storage buildings, parking ground and pedestrian areas. Using the machine beyond this scope of application will be deemed improper use; The manufacturer cannot be held liable for consequential damages.

The term of proper use also includes operation, maintenance and repair work to be performed in compliance with the manufacturer's specifications. The Hako-Jonas 980 V/VH may be used by personnel only that are familiar with the machine and aware of possible hazards involved.

The applicable Accident Prevention Regulations, Road Traffic Regulations, and aspects of safety and working medicine in vigour will have to be complied with.

If modifications to the machine are made in absence of the manufacturer's prior consent, the latter cannot be held liable for damage resulting from such unauthorized modification.



**The machine has not been designed for collecting dusts which are detrimental to health or explosive.**

### Notes on warranty

The terms of the sales contract apply. Damages are not subject to warranty if they are due to non-compliance with the maintenance and service provisions. The maintenance work has to be performed by an authorised Hako service centre and confirmed in the "Maintenance certificate" which is the warranty document.

The following is excluded from warranty:

fuses, natural wear, damages caused by overload, inexpert handling and unauthorised modification of the machine. Moreover, any claim for warranty cannot be accepted if damages at the machine are caused by fitting

parts or accessories without Hako's prior and explicit consent or by non-compliance with the maintenance instructions.

### Acceptance of the machine

Upon arrival, check machine for possible damages in transit. For refund of such damage, have the Deutsche Bahn AG or your freight forwarder confirm such damage. Mail notification and waybill to:

**Hako-Werke GmbH  
Hamburger Strasse 209-239  
23843 Bad Oldesloe**

## Contents

<b>0</b>	<b>Introduction/Proper Use Notes on Warranty Acceptance of the Machine</b>		
<b>1</b>	<b>Safty Information.....6</b>		
1.1	General Safty Information .....	6	
1.2	Safty and Warning Symbols.....	7	
1.2.1	Generally Applicable Symbols.....	7	
1.3	Labels at the Machine.....	8	
1.4	Operation/Safty Information.....	11	
1.5	Cleaning Informaton.....	12	
1.6	Maintenance instructon.....	13	
1.7	Accident Prevention Regulation.....	15	
<b>2</b>	<b>Description.....16</b>		
2.1	Functional Descripton.....	16	
2.1.1	Hako-Jonas 980 V.....	16	
2.1.2	Hako-Jonas 980 VH.....	16	
2.2	Cylinder Broom.....	17	
2.3	Side Brush.....	17	
2.4	Filter System/Dust Evacuation.....	17	
2.5	Shaking System.....	17	
2.6	Steering.....	17	
2.7	Wheels.....	17	
2.7.1	Hako-Jonas 980 V.....	17	
2.7.2	Hako-Jonas 980 VH.....	17	
2.8	Brake.....	18	
2.9	Travel Drive Assmby.....	18	
2.10	Hydraulic System Lifted-Up Disposal.....	18	
<b>3</b>	<b>First Operation.....19</b>		
3.1	Hako-Jonas 980 V/VH.....	19	
3.1.1	General.....	19	
3.1.2	Refill Fuel.....	19	
3.1.3	Check Engine Oil Level.....	20	
<b>4</b>	<b>Operation.....21</b>		
4.1	Hako-Jonas 980 V/VH con- trols.....	21	
4.2	Hako-Jonas 980 V/VH Control Pa- nel.....	23	
4.3	Empty Dirt Hopper of Hako-Jonas 980 V.....	28	
4.4	Empty Dirt Hopper of Hako-Jonas 980 VH.....	28	
4.5	Working With the Hako-Jonas.....	31	
4.5.1	Before Start of Engine.....	31	
4.5.2	Start Engine.....	31	
4.5.3	Stop Engine.....	32	
4.5.4	Sweep.....	32	
4.5.5	Stop and Park.....	32	
4.5.6	Displace.....	33	
4.5.7	Transport.....	33	
<b>5</b>	<b>Technical Data.....34</b>		
<b>6</b>	<b>Maintenance/Service.....39</b>		
6.1	Maintenance Instruction.....	39	
6.2	Mount/Dismount Cylinder Broom...	40	
6.3	Adjust Sweeping Track.....	40	
6.4	Sealing strips for Broom Compatment.....	42	
6.5	Folding Apron Adjustment.....	42	
6.6	Replace Side Brush.....	43	
6.7	Dismount Plate Filter.....	44	
6.8	Basic Cleaning of Plate Filter.....	46	
6.9	Hako-Jonas V/VH.....	47	
6.9.1	Engine.....	47	
6.9.2	Check Engine Oil Level.....	47	
6.9.3	Change Engine Oil.....	48	
6.9.4	Air Cleaner.....	48	
6.10	Hydraulic System.....	49	
6.10.1	Check hydraulic Fluid-Level.....	50	
6.10.2	Refill Hydraulic fluid.....	50	
6.10.3	Change Hydraulic Fluid Filter.....	50	
6.10.4	Check and Refill Hydraulic System Lifted-Up Disposal.....	51	

## Contents

6.11	Hako-Jonas 980 V/VH V-Belt Drive.....	52
6.11.1	Replace Cylinder Broom V-Belt.....	53
6.11.2	Replace Side Brush V-Belt.....	53
6.11.3	Replace Suction Fan V-Belt.....	53
6.11.4	Replace Hydraulic Pump V-Belt.....	54
6.12	Hako-Jonas 980 V/VH Electric System.....	55
6.13	Hako-Jonas 980 V/VH (6502.30/50) Maintenance System.....	57
<b>7</b>	<b>Special Equipment.....</b>	<b>60</b>
<b>8</b>	<b>Spare Parts.....</b>	<b>61</b>
	<b>EC Declaration of Conformity.....</b>	<b>63</b>
	<b>Maintenance Certificate.....</b>	<b>64</b>

### 1 1 Safety Information

#### 1.1 General Safety Information

Apart from the instructions contained in this manual, the general safety instructions and accident prevention regulations, as imposed by law will have to be complied with. Do not put the Manual aside without reading it even if you used similar sweepers before. Take the time to read them now and save time later. Machines with known defects must not be used. It will be of essence to make yourself familiar with all accessories and controls and their functions before you start working. Avoid the mess of having to read this book while trying to run the machine.

Using the machine in areas with explosion hazard, on public roads and places is prohibited.

The operator has to use the machine within its design limits.

Shut the motors down before transporting the machine.



#### **Keep clear of hazard zone!**

Before commencing work, the operator has to make sure that the Hako-Jonas 980 V/VH and its accessories are in proper and safe condition.

Warning and instruction labels attached to the machine contain important information about safe operation. Illegible or lost labels have to be replaced.



#### **Make sure that all covers are fitted before starting to sweep.**



#### **Provide for sufficient ventilation when sweeping indoors (dust and combustion gas).**



#### **Pinching and shearing hazard. Provide for required safe distance before lifting or lowering the dirt hopper.**



#### **Shut down the engine before re-fuelling.**






#### **Smoking and handling open flames is prohibited when filling fuel tanks or when working at or in the vicinity of components containing fuel.**

## Safety Information

### 1.2 Safety and Warning Symbols

#### 1.2.1 Generally Applicable Symbols

All paragraphs in this manual referring to your personal safety, the safety of your machine and the environment protection are attributed one of the following warning symbols:

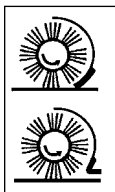
Symbol	Hazardous for...	Description
<b>DANGER</b> 	persons and goods	<b>dangerous situation</b> caused by imprecise or non-observance of instructions or prescribed work routine
<b>CAUTION</b> 	the machine	important information on handling the Hako-Jonas in order to maintain operability
<b>Ecological hazard</b> 	the environment	due to use of substances representing an inherent danger to health of environment

## Safety Information

### 1.3 Labels at the Machine

The following safety and information signs are legibly attached to the machine. Missing or illegible stickers have to be replaced.

Folding apron (1)



Parking brake (2)



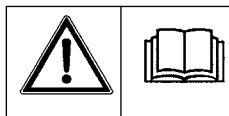
Hako nameplate, front and rear (3)

**Hako**

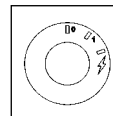
Inflation pressure (4)

**6 bar**

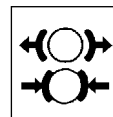
Read and observe operator's Manual (5)



Ignition lock (6)



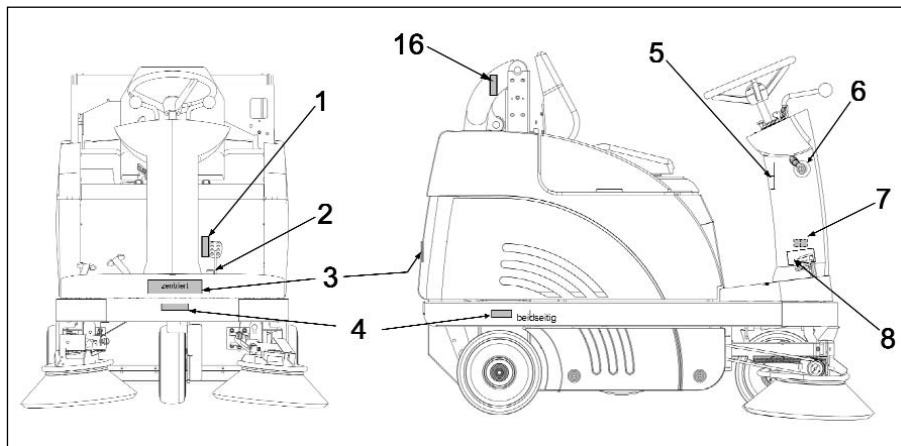
Brake (7)



Noise performance (8)

**91 dB (A) 980 V**

**91 dB (A) 980 VH**





# Safety Information

## 1.3 Labels at the Machine

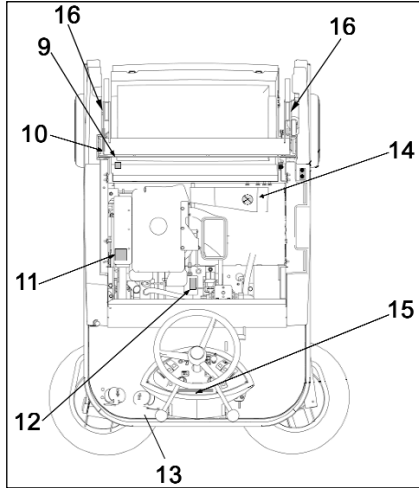


Fig. 2 Safety and information signs

Hydraulic fluid (9)



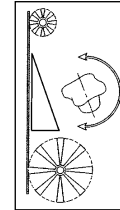
Rotating parts (10)



Burning surface (11)



Cylinder broom wearing take-up (12)



Nameplate (13)



## Safety Information

### 1.3 Labels at the Machine

Hako-Jonas type name (15)

High-pressure cleaner (14)



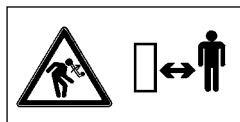
**Do not clean by means of  
high pressure cleaner or  
vapour jet.**

**Hako Jonas 980 V**

**Hako Jonas 980 VH**

Pinching hazard (16)

(with the Hako-Jonas 980 VH only)



## Safety Information

### 1.4 Operation/Safety Information

Vacuum sweepers may be run by qualified personnel only; such personnel will have to have evidenced their qualification for running the machine to the owner or his authorised representative; operators explicitly will have to be instructed by the owner or his authorized representative to use the machine.



**The machine may be used for cleaning such surfaces approved by the owner or this authorised representative for operation of vacuum sweepers.**



**Before starting the engine, switch off all drives**

Transporting persons on the machine is prohibited. Ride-on machine types are to be started with the driver being seated.

Never leave the machine unattended before the motors are off and the machine is protected against unintended movements.

To prevent the machine from unauthorised use, pull the control key to block all drives.

Shut down the motors before transport of the machine. The driver has to take account of local conditions and when operating the sweeper he has to watch out for other persons, especially children.



**Do not open hood or fairings with the machine running.**



**This machine must not be used as dust-evacuating machine with dust filter insert (separator) to collect dusts which are hazardous to health.**



**Compared to four-wheeled vehicles, driving stability of three-wheeled vehicles is reduced. We thus recommend:**

- do not negotiate curves at high speed.
- do not turn at slopes but on level ground only
- ride up- or downhill straight.

## Safety Information



**Warning and instruction labels attached to the machine contain important information about safe operation**



**Provide for sufficient ventilation when sweeping indoors (dust and combustion gas).**



**Proceed to filter shaking only if the dirt hopper is in closed position.**

### 1.5 Cleaning Information

The machine is splash-proof (IPX3).



**Do not clean the Hako-Jonas 980 V and VH by means of high pressure cleaner or vapour jet.**



**Proceed to cleaning of the dirt hopper in regular intervals to preclude formation of bacterial deposits.**

## Safety Information

### 1.6 Maintenance Instructions

A good approach to prevention of accidents is proper maintenance of the machine.

Before proceeding to repair or maintenance work pull the key.

Use appropriate tools for maintenance, service, setting etc.

As far as aspects of safety are concerned, spare parts will have to be at least of the same quality as the genuine spare parts.



**Switch off the motors before maintaining the machine or replacing parts of it. Turn off the machine and pull the key.**



**Check hydraulic hoses and lines for leakage or damages in regular intervals. Replace defective hoses and lines immediately.**



**Before changing wheels protect the machine against rolling by placing wedges. Proceed to wheel changing when the machine is on level and solid ground.**



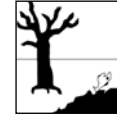
**Do not repair the pneumatic tires mounted to the machine yourself. Dismount the wheel and take it to repair to a tire workshop.**



**Use of other than the cylinder brooms and side brushes approved by the manufacturer is not admitted (see technical data) since use of other cylinder brooms and side brushes may affect your safety.**



**When handling lubricating agents, the applicable regulations for protection of the environment and prevention of fire have to be complied with. Provide for disposal of used oil and grease in accordance with the provisions imposed by law.**



**Collect cleaning agents, oil, fuel oil, grease etc. and provide for adequate disposal. Wipe away spilled substances.**

## Safety Information



Before commencing any work on the electric system disconnect battery (neg. lead) of the Hako-Jonas 980 V and VH and pull the ignition key.



Do not keep batteries discharged for a longer period; always recharge them as soon as possible.



Top with distilled water only. Never refill battery acid in battery cells of perfect condition.



Keep batteries dry and clean and clear of soiling such as e.g. metallic dust to avoid leakage current.



Do not place metal objects or tools onto batteries. Short-circuit and deflagration hazard.



Spilled (straight) battery acid must not get into the sewage system before having been neutralised. Comply with the regulations imposed by law and observe local provisions.



Battery acid is highly caustic (keep clear of children). When checking the battery acid level, wear safety glasses. If acid splashes get into the eyes rinse with clear water for 15 minutes and contact a doctor immediately. Use appropriate protective means (e.g. protective gloves or finger-stalls) when handling battery acid. Do not use open flames (explosion hazard).

### 1.7 Accident Prevention Regulations

BGV D 29

#### **Vehicles**

According to BGV D 29, the Hako-Jonas 980 V/VH sweeper has to be inspected for safe condition by an authorized expert as required, but not less than once a year. Results of such an inspection have to be kept on file at least until the next inspection is performed.

BGV D 27

Observe as well:

#### **Industrial trucks**

- the applicable provisions for Safety and Health at Work and the Fire Regulations
- internal safety provisions

## Description

## 2 Description

### 2.1 Functional Description

#### 2.1.1 Hako-Jonas 980 V

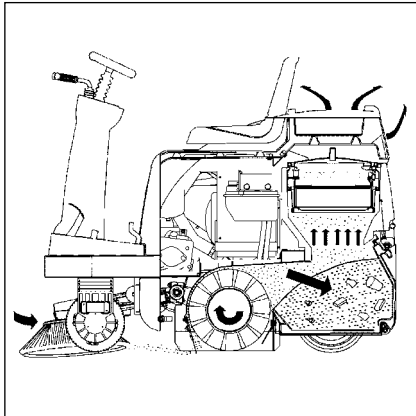


Fig.3

Principle of  
Hako-Jonas 980 V

The side brush is used to collect dirt at borders and to enlarge the working width as well as to increase the area performance on large surfaces.

The cylinder broom casts the debris overhead into the dirt hopper. The collected fine dust is evacuated by the suction fan and separated by a filter system. The air returned into the environment is clean.

Dirt disposal at the **Hako-Jonas 980 V** is realized via two dirt hoppers (2x30 litres) which are to be emptied manually.

Dirt disposal at the **Hako-Jonas 980 VH** is realized via lift-up disposal (lift-up height > 1350mm) directly into standard waste containers.

#### 2.1.2 Hako-Jonas 980 VH

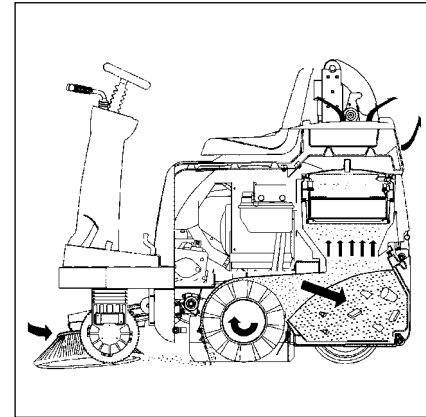


Fig.4

Principle of  
Hako-Jonas 980 VH



## Description

### 2.2 Cylinder Broom

The cylinder broom is equipped with 12 rows of bristles arranged in V-shape.

The cylinder broom width amounts to 700mm and its diameter to 345mm.

### 2.3 Side Brush

The standard version, the side brush is located at the front right of the machine. The operator lifts and lowers it by hand lever.

The side brush is to have a light inclination.

The swinging area of the side brush arm is limited by stop screws.

The side brush is driven by V-belt.

For special application, fitting of a second side brush at the left is possible.

### 2.4 Filter System / Dust Evacuation

The filter system is located in the filter case above the dirt hopper. The suction fan transports the fine dust raised by the cylinder broom to the plate filter where it is separated. The fine dusts sets at the outsides of the filter blades.



**In case of heavy dust development, check and clean the plate filter at regular intervals.**

### 2.5 Shaking System

Due to normal working vibration the set dust partly falls off into the dirt hopper. To ensure working in a dust-free ambiance, however, actuate the shaking system regularly, or after request by the pilot lamp at the latest.

### 2.6 Steering

Steerage is effectuated mechanically from steering wheel to front wheel via chain. This chain is to be re-adjusted as required.

### 2.7 Wheels

#### 2.7.1 Hako-Jonas 980 V

Front wheel: pneumatic tire 4.00-4

Rear wheels: pneumatic tire 4.00-4

#### 2.7.2 Hako-Jonas 980 VH

Front wheel: pneumatic tire 4.00-4

Rear wheels: pneumatic tire 4.00-4

## Description

### 2.8 Brake

The Hako-Jonas 980 V/VH is equipped with a service brake. This brake has been constructed as shoe brake and equally serves as parking brake. It is located in the rear wheels and is actuated via cables. A special adjustment screw is situated at the right-hand rear wheel.



**Any work at the braking system has to be executed by qualified persons in a qualified workshop only.**

### 2.9 Travel Drive Assembly

The **Hako-Jonas 980 V and VH** are equipped with a hydrostatic drive assembly which is driven by the combustion engine via pump.

### 2.10 Hydraulic System Lifted-Up Disposal

The hydraulic system comprises a compact unit (hydraulic pump with hydraulic tank), the hydraulic hoses and a hydraulic cylinder.

Hydraulic fluid: Mobiloil DTE 15 M

The named hydraulic fluid has been filled in the hydraulic system in the factory.

Filling of hydraulic tank: 0.76 litre

### 3 First Operation

The Hako-Jonas 980 V/VH has been extensively tested and submitted to a functional check before delivery. Only qualified personnel of your local Hako contact dealer are allowed to proceed to first operation. After shipping of the machine, we advise your Hako contact dealer. He will contact you to make a date for briefing lessons.

#### 3.1 Hako-Jonas 980 V/VH

##### 3.1.1 General

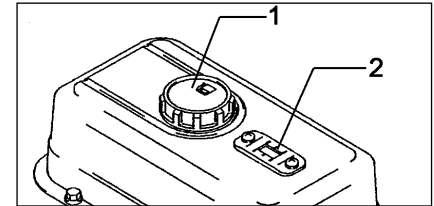
**Smoking and handling open flames is prohibited when filling fuel tanks or when working at or in the vicinity of components containing fuel.**

- Turn engine off
- Secure machine by engaging the parking brake.
- Pull ignition key.
- Fold back seat hood.

**Do not use the Hako-Jonas 980 V/VH at ambient temperatures of more than 40°C. Do not start the machine at temperatures of -15°C or less. Liquid propellant gas system: refer to LPG operating instructions.**

##### 3.1.2 Refill Fuel

The fuel tank is located under the foldable seat hood.



Fuel tank

Fig.5

- Check filling level at the filling level indicator (Fig. 5/2).
- Remove tank lid (Fig. 5/1) before filling.



**Turn engine off before filling fuel.**



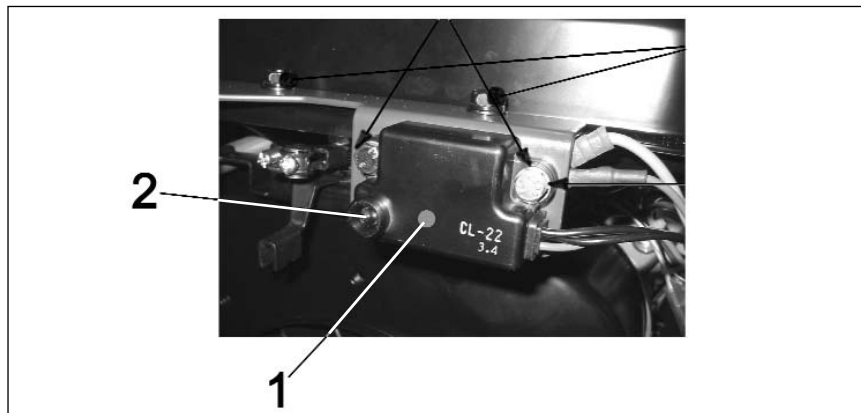
**Smoking and handling open flames is prohibited when filling fuel tanks or when working at or in the vicinity of components containing fuel.**

## First Operation

### 3.1.3 Check Engine Oil Level

- Engine oil has been filled in the factory.
- For safety reasons, check the engine oil level (refer to paragraph 6.9.2, Fig. 23/2)
- In order to protect the engine, it is switched off or cannot be started if engine oil level is insufficient.

This function is controlled by a low oil level switch (Fig. 0/1) at the engine. A red pilot lamp (Fig. 0/2) is situated at this switch and lights simultaneously in case of insufficient oil level.



Ölmangelschalter

Fig.0



**Before the machine is operable again, refill oil until the prescribed level is attained.**



**Use clean oil only for refilling.**



**Store oil in approved and closed reservoirs only.**



**Do not use used oil.**

## 4 Operation

### 4.1 Hako-Jonas 980 V/VH Controls

- 1 Actuator for folding apron
- 2 Service brake lock
- 3 Service brake/parking brake pedal
- 4 Drive pedal, reverse
- 5 Drive pedal, forward
- 6 Control panel
- 7 Seat adjustment
- 8 Safety knob, lock for release of swinging dirt hopper function (Hako-Jonas 980 VH)
- 9 Release lever for swinging dirt hopper function (Hako-Jonas 980 VH)

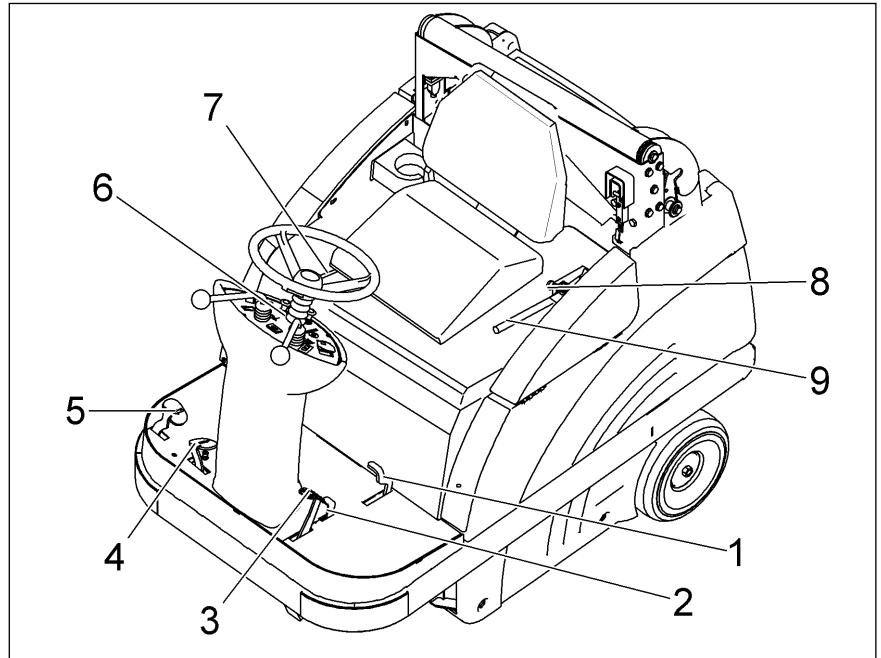


Fig.6

## Operation

- 1 Actuator for folding apron**  
to open and close the folding apron for collecting coarse dirt.
- 2 Service brake/parking brake lock**  
to lock the service brake/parking brake. If locked, the service brake works as parking brake. Release the lock by depressing the service brake pedal (3).
- 3 Service brake/parking brake pedal**  
to actuate the service brake at the rear wheels. Before leaving the machine unattended, engage the service brake and lock.
- 4 Drive pedal, reverse**  
to change direction to reverse ride with continuous regulation of riding speed at the same time. If the driver releases the pedal it returns to initial position and the machine slows down to standstill.
- 5 Drive pedal, forward**  
to change direction to forward ride with continuous regulation of riding speed at the same time. If the driver releases the pedal it returns to initial position and the machine slows down to standstill.
- 6 Control panel**  
Refer to chapter "Control panel"
- 7 Seat adjustment**  
to adjust the seat position to drivers of different height. Adjust the seat so as to allow the driver being comfortably seated and attaining all elements required for operation.
- Adjust seat lengthwise: push lever slightly to the right and displace seat forwards or backwards to the required position. Then let the lever catch again.
- 8 Safety knob, lock for release of swinging dirt hopper function**  
to release the lever for swinging dirt hopper function.
- 9 Release lever for swinging dirt hopper function**  
to swing the dirt hopper

## Operation

### 4.2 Hako-Jonas 980 V/VH Control Panel

- 1 Cylinder broom lever
- 2 Release of lifted-up disposal function (Hako-Jonas 980VH)
- 3 Horn
- 4 Suction fan/shaking system knob
- 5 Choke flap knob
- 6 Flashlight (option/6505)
- 7 Lighting (option/6506)
- 8 Lift and lower lifted-up disposal unit (Hako-Jonas 980 VH)
- 9 Side brush lever
- 10 Pilot lamp, parking brake
- 11 Battery charge status indicator
- 12 Hourmeter
- 13 Pilot lamp, fan
- 14 Pilot lamp, shaking system
- 15 Engine speed regulation knob
- 16 Ignition switch

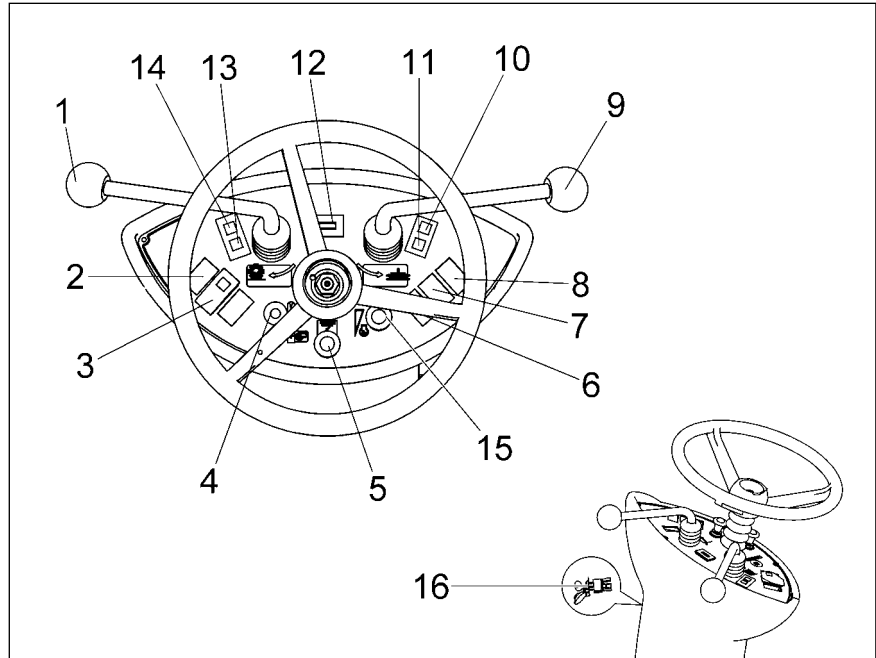
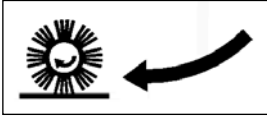


Fig.7

## Operation



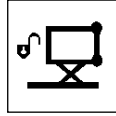
- 1 Cylinder broom lever**  
to lift and lower as well as to switch on and off the cylinder broom and the side brush.

- Lower cylinder broom as well as switch on cylinder broom and side brush

= push lever

- Lift cylinder broom as well as switch off cylinder broom and side brush

= pull lever



- 2 Release for lifted-up disposal function**  
to release the lifted-up disposal function for lowering of lifting.



**Has to be actuated before pressing the key for lifting/lowering lifted-up disposal function. Hold the key during lifting/lowering.**



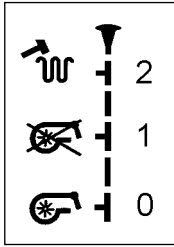
**Before changing lifting to lowering or vice versa, the "Release Lifted-Up Disposal" key has to be released once and pressed again**



- 3 Horn**  
An acoustic signal sounds upon actuation of this button.



## Operation



#### 4 Suction fan/shaking system knob

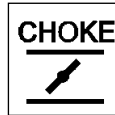
Knob position (from bottom to top):

- Pos. 0 Activated vacuuming function (close flap before sweeping dry surfaces or collecting dry dirt).
- Pos. 1 Deactivated vacuuming function (open flap before sweeping wet surfaces and collecting wet dirt).
- Pos. 2 Shaking system ON (pull knob to stop and then release)

If the yellow pilot lamp (Fig. 7/13) lights, actuate the shaking system (position 2).  
In this position, the shaking system is operable and proceeds to jolting in 7 repeated intervals.



**After jolting, the knob is to be kept in position 1 for about 10 seconds. Reduce engine speed to idling in order to optimize the cleaning result in case of heavy fine dust load or stop the engine.**

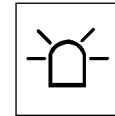


**5 Choke flap knob** to actuate the choke flap (cold start).

- Knob down - choke not actuated
- Knob pulled up - choke actuated for cold start.



**If the engine has already attained temperature, do not actuate the choke flap and start with full throttle.**

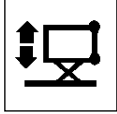


**6 Flashlight (option/6505)** to switch the flashlight ON/OFF.



**7 Lighting (option/6506)** to switch the driving headlight ON/OFF.

## Operation



- 8 Lift and lower (lifted-up disposal)** to lift and lower the dirt hopper. Lift the dirt hopper by pressing the key until the desired height for lifting-out is attained. When lowering the dirt hopper make sure to hold the key pressed until the hopper has contact with the frame.



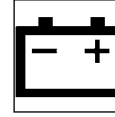
**Actuate release key for lifted-up disposal and hold before lifting or lowering.**



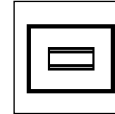
- 9 Side brush lever** to lift and lower the side brush.
- Lower side brush  
= push lever
  - Lift side brush  
= pull lever



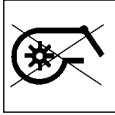
- 10 Pilot lamp, parking brake (red)** lights upon actuation of the parking brake Extinguishes upon release of the parking brake.



- 11 Battery charge status indicator (red)** lights upon actuation of the ignition switch and has to extinguish as the engine fires.



- 12 Hourmeter** indicates the operating hours. The counter works only if the driver is seated and the ignition is ON.



- 13 Pilot lamp, suction fan (orange)**  
lights if the suction fan is not activated.



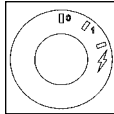
- 14 Pilot lamp, shaking system (yellow)**  
Proceed to jolting of the filter system upon lighting of this pilot lamp by actuating the knob (Fig.7/5).



**The pilot lamp flashes during the shaking procedure and extinguishes after filter has been cleaned. Jolting is effectuated in 7 intervals.**



- 15 Engine speed regulation knob**  
to adjust the engine speed. Service speed is attained by pulling the knob up.



- 16 Ignition switch**  
to switch ignition on and off, to start and stop engine and to secure it against unauthorised use.



**For safety reasons, the Hako-Jonas 980 V/VH has been equipped with a seat contact switch. Starting the engine is possible only after the driver has taken place on the seat. If seat contact is interrupted while the engine is running, the combustion engine of the Hako-Jonas 980 V/VH has to be re-started.**

## Operation

### 4.3 Empty Dirt Hoppers of Hako-Jonas 980 V

- Fold bow (Fig. 8/3) up = the dirt hoppers (Fig. 8/2) are lowered.
- Use the recessed grip (Fig. 8/1) of one of the hoppers to lift it lightly and extract it.
- Take the hopper at its bow-type handle to disposal and empty.
- Empty second dirt hopper as described above.
- Re-insert dirt hopper (Fig. 8/2) and fold down the bow (Fig. 8/3).

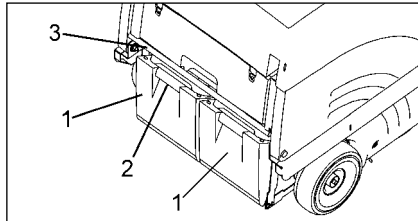


Fig.8

### Emptying dirt hopper 980 V

- 1 Recessed grip in dirt hopper
- 2 Dirt hopper
- 3 Bow to lift/lower dirt hoppers



**Clean dirt hoppers at regular intervals.**

### 4.4 Empty Dirt Hopper of Hako-Jonas 980 VH



**Lift side brush and cylinder broom before emptying of the dirt hoppers.**



**If the hopper is lifted with the cylinder broom still running, the engine is switched off.**

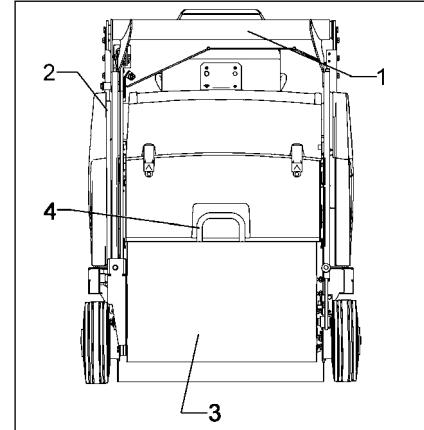


Fig.9

### Emptying dirt hopper 980 VH

- 1 Lift-out arm
- 2 Lift-out cylinder
- 3 Dirt hopper
- 4 Bow-type handle



**Clean dirt hopper at regular intervals.**

## Operation



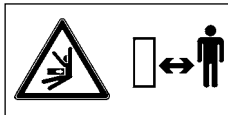
Riding with the lifted hopper reduces stability of the machine significantly. For this reason, do not lift the hopper but just before emptying. Before lifting the hopper, the operator has to make sure that no persons or objects are behind or next to the machine. Stop the machine on level ground before lifting the hopper.



When the hopper is lifted, the operator has to ride the machine slowly.



Keep clear of the hazard zone!



**Pinching and shearing hazard. Provide for required safe distance before lifting or lowering the dirt hopper.**

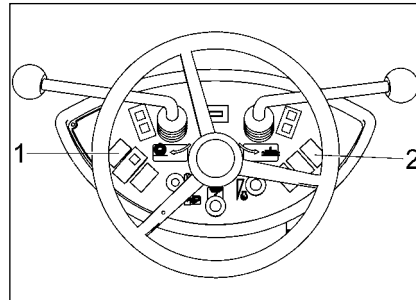


Abb.10

### Hako-Jonas 980 VH control panel

- 1 Release switch for lifted-up disposal function
- 2 Dirt hopper, lift and lower

**Proceed to emptying of the dirt hopper as follows:**

- Lift and switch off side brush and cylinder broom
- Proceed to shaking of the filter system
- Actuate switch (Fig. 10/1) and hold (dirt hopper is released)
- Actuate switch (Fig. 10/2) by pushing = lift dirt hopper
- Dirt hopper (Fig. 9/3) is lifted-out
- Back the Hako-Jonas 980 VH until the dirt hopper is positioned above the container for disposal.
- Pull the safety knob (Fig. 11/1) of the release lever (Fig. 11/2).
- Release swinging of the dirt hopper by release lever (Fig. 11/2).
- Forward the Hako-Jonas 980 VH after emptying.

## Operation

- Lower dirt hopper by actuating switch (Fig. 10/1) and switch (Fig. 10/2); pull lever = lower dirt hopper



Observe the information given in paragraph 4.2/2 on releasing of lifted-up disposal.



If the hopper is lifted, the sweeping function is blocked. If the main broom is lowered even if the hopper is lifted, the combustion engine stops. Starting is then possible only after sweeping function is turned off (main broom lever in OFF position) or the hopper is lowered. (Under condition that the driver is seated)



Lifted-up disposal function is blocked as long as sweeping function is ON.

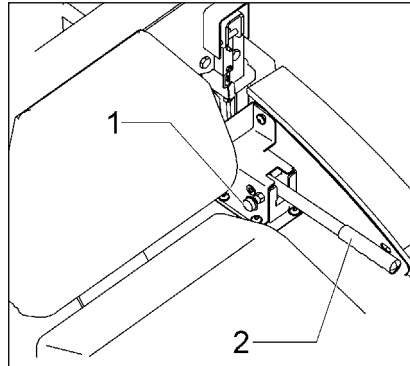


Fig.11

Release lever, swing dirt hopper

- 1 Safety knob
- 2 Release lever, swing dirt hopper



If the cylinder broom is switched on with the dirt hopper being lifted, the engine stops.



Should the dirt hopper not be completely emptied after swinging, proceed to manual shaking with the handle (Fig. 9/4).



Clean the dirt hopper in regular intervals.



The dirt hopper is approved only for a max. filling of 70 litres but not more than a weight of 110kg.

### 4.5 Working With the Hako-Jonas

The driver is requested to carefully read this manual. All controls are marked with easy-to-understand symbols that ease familiarization. First driving attempts should be limited to clear areas until you are familiar with all controls and their functions.



**Please comply with the following safety provisions: When working with the Hako-Jonas all safety measures generally applicable for handling vehicles have to be observed. No passenger transport is admitted with the Hako-Jonas. Warning and instruction labels attached to the machine contain important information about safe operation and guarantee your personal safety. Before commencing work, the operator has to make sure that the machine and its accessories are in proper and safe condition and**

**comply with the provision for safety at work. Do not operate the Hako-Jonas without protective devices.**

#### 4.5.1 Before Start of Engine

Open seat hood and check the following:

- Engine oil level
- Visual check of the V-belts
- Fuel filling
- Open fuel cock (is located at a slot of the air cleaner)



open



closed

- Close seat hood

#### 4.5.2 Start Engine

For safety reasons, the Hako Jonas is equipped with a seat contact switch. Starting the engine is possible only when the driver is seated.

- Switch all levers and switches to neutral position. Actuate parking brake.
- Actuate choke (with cold engine only)
- Turn ignition key to switch on ignition
- Continue turning ignition key clockwise to start engine.



**If the starting procedure has to be repeated or if the engine stops, re-starting is possible only after ignition has been turned off. The ignition lock is equipped with a protection to preclude repeated ignition with the engine running.**

## Operation



**Interruption of the starting procedure after 10 seconds and brief pause between starting cycles is recommended to save the battery.**

- Let the engine run and then slowly press the choke knob down.

### 4.5.3 Stop Engine

- Turn ignition key counter-clockwise.

### 4.5.4 Sweep

- Start engine
- Adjust service speed



**In initial position, vacuuming is activated. If the collected dirt is wet, open the flap.**

- Lower cylinder broom and side brush.
- Release parking brake.
- Slowly depress drive pedal until desired speed has been attained.
- Regularly actuate shaking device to clean filter.
- Check filling level of the dirt hopper and empty if required.



**Refer to LPG operating instructions for information on how to start machine equipped with liquid propellant gas system.**

### 4.5.5 Stop and Park

- Release drive pedal which returns automatically into its neutral position and the machine slows down to standstill.
- Actuate parking brake
- Lift side brush and cylinder broom
- Turn engine off



**Slowing down the Hako-Jonas is possible by applying opposite forces with the drive pedal or by using the service brake.**



**When leaving the machine unattended, pull key in order to preclude unauthorized use.**



**Close the fuel cock in case of long-term standstill of the machine.**



## Operation

### 4.5.6 Displace

If the Hako-Jonas 980 V/VH should be moved with the engine being off, actuate the bypass valve (Fig. 12).



**Before displacement of the machine actuate the bypass valve located at the drive pump.**

To do so, turn the lever (Fig. 13/1) of the bypass valve anticlockwise approx. a quarter turn against the stop.

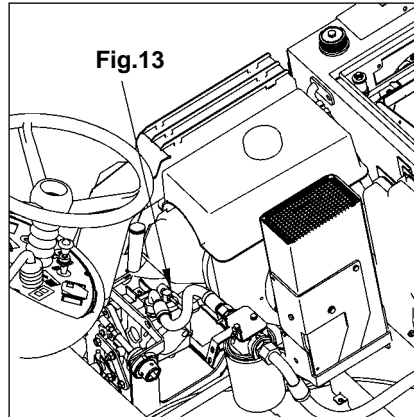


Fig.12

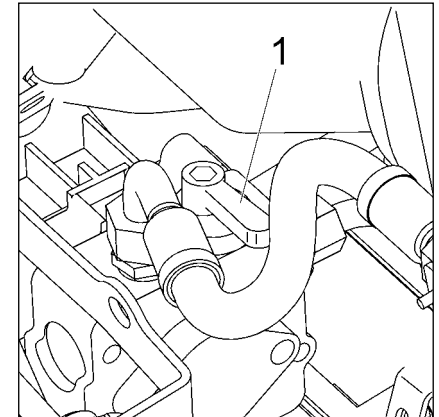


Fig.13

### 4.5.7 Transport

Before transporting the Hako-Jonas 980 V/VH on other vehicles, engage the parking brake and secure the machine by straps and by placing wedges at the wheels.

## Technical Data

### 5 Technical Data

Hako-Jonas		980 V (6502.30)	980 VH (6502.50)
<b>Dimensions and weights</b>			
Length with side brush	mm	1520	1520
Width without side brush	mm	1000	1000
Width with 1 side brush	mm	1120	1120
Width with 2 side brushes	mm	1240	1240
Height above driver's seat	mm	1300	1300
Max weight including accessories	kg	410	480
Admissible total weight	kg	580	680
<b>Driving and sweeping performance</b>			
Forward speed	km/h	6,0	6,0
Reverse speed	km/h	4,0	4,0
Sweeping speed up to (4 km/h recommended)	km/h	6,0	6,0
Sweeping track w/o/with 1 side brush	mm	700/970	700/970
with 2 side brushes	mm	1240	1240
Theoretical sweep. perf. with 1 or 2 side brushes	m <sup>2</sup> / h	5800/7450	5800/7450
without side brush	m <sup>2</sup> / h	4200	4200
Gradability, max.	%	16	16

## Technical Data

Hako-Jonas		<b>980 V (6502.30)</b>	<b>980 VH (6502.50)</b>
<b>Filter system</b> Filtering surface Plate filter	m <sup>2</sup> Stück	2,8 1	2,8 1
<b>Cylinder broom</b> Length/diameter Wearing limit Speed Sweeping track Quantity of bristle rows Serial bristling	mm mm 1/min mm	700 / 345 290 530 +/- 20 50 + 10 12 v-förmig PA	700 / 345 290 530 +/- 20 50 + 10 12 v-förmig PA
<b>Ground clearance of sealing</b> strips at broom compartment Sealing strips, left, right, rear Sealing strip, front	mm	1 / 1 / 4  liegt auf dem Boden auf	1 / 1 / 4
<b>Side brushes</b> Diameter Speed Serial bristling	mm 1/min	460 90 PA	460 90 PA
<b>Dirt hopper</b> Hopper capacity	Liter	2x30	70

## Technical Data

Hako-Jonas		980 V (6502.30)	980 VH (6502.50)
<b>Drive wheels</b> Pneumatic tyres with hose, size Inflation pressure Solid rubber tyres	bar	4.00 - 4 6PR 6 Option	4.00 - 4 6PR 6 Option
<b>Engine</b> Manufacturer Type Working process/no. of cylinders Piston capacity Performance at 3,600 rpm Service speed (with cylinder broom, side brush and suction fan being on) Fuel tank capacity (regular, unleaded) Fuel consumption Engine oil / filling Spark plug Air cleaner insert (Kawasaki) Pre-filter (Kawasaki)	cm <sup>3</sup> KW 1/min  Liter Liter / h Typ/Liter	Kawasaki FE 250 D 4- Takt / 1 Zyl. 249 6 2475 +/- 25  5,3 1,2 15W-40 / 1,1 NGK BP 5 ES 11013-2128 11013-2129	Kawasaki FE 250 D 4- Takt / 1 Zyl. 249 6 2475 +/- 25  5,3 1,2 15W-40 / 1,1 NGK BP 5 ES 11013-2128 11013-2129

## Technical Data

Hako-Jonas		980 V (6502.30)	980 VH (6502.50)
<b>Hydraulic system Travel drive assembly</b> Hydraulic fluid, e.g. Mobiloil  Hydraulic tank, capacity Fluid filter cartridge	Liter Bestell-Nr.	DTE 15 M (oder ein gleichwertiges Öl) 10 CS-050-P-10-A	DTE 15 M (oder ein gleichwertiges Öl) 10 CS-050-P-10-A
<b>Hydraulic system Lifted-up disposal unit</b> Compact unit (maintenance-free) Hydraulic fluid, e.g. Mobiloil  Hydraulic tank, capacity	Liter		DTE 15 M (oder ein gleichwertiges Öl) 0,76
<b>Electric system</b> Starter battery Generator	V / Ah A	12 / 45 13	12 / 45 13

Technical Data			
Hako-Jonas		980 V (6502.30)	980 VH (6502.50)
<p><b>Noise emission</b>            The sound pressure level measured according to DIN EN ISO 11201 and under standard operating conditions at the operator's ear with            - operating status            fan, cylinder broom and side brush ON amounts to</p>	dB (A)	77	77
<p>The sound power level measured according to DIN EN ISO 3744 under standard operating conditions and maximum volume flow amounts to</p>	dB (A)	91	91
<p><b>Vibrations</b>            The frequency weighted acceleration measured according to EN 1003 which have an effect upon the upper limbs (hand-arm-system) amounts under normal working conditions</p>	m/s <sup>2</sup>	< 2,5	< 2,5
<p>The frequency weighted acceleration measured according to EN 1032 which have an effect upon the lower limbs (feet and seat) amounts under normal working conditions</p>	m/s <sup>2</sup>	< 0,5	< 0,5

## 6 Maintenance/Service

### 6.1 Maintenance Instructions

Compliance with our recommendations concerning maintenance work will give you the certitude of having an effective and dependable machine at your disposal.

It is better to take precautions than repairing damages - and it saves money!



**According to paragraph 57, BGV D29, the Hako-Jonas 980 V/VH vacuum sweeper has to be inspected for safe condition by an authorized expert as required, but not less than once a year. Results of such an inspection have to be kept on file at least until the next inspection is performed.**

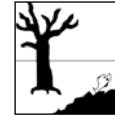
Please contact your local Hako distributor if you cannot do the maintenance works as prescribed in the maintenance schedule in-house. He will have these works done for you and has qualified personnel and genuine spare parts at disposal.



**When cleaning or servicing the machine, or replacing parts, have the motors stopped and the key pulled, the negative battery pole disconnected and the service brake (parking brake) engaged.**

In case of questions or orders for spare parts, please always quote your machine's serial indicated on the nameplate

Refer to chapter 1.3.1 Fig. 2/13 for position of nameplate.



**Collect spilled oil and provide for adequate disposal.**

Use appropriate tools for servicing, maintenance and adjusting work only. Spare parts at least will have to be of the same quality as genuine parts are.



**Do not remove or install tires or repair a rim. Take the wheel and rim to a workshop where qualified personnel and the required specific tools are available.**



**When working at the electric system disconnect the negative pole of the battery.**

### 6.2 Mount/Dismount Cylinder Broom

The cylinder broom is accessible from the left side of the machine and is to be dismantled as follows:

- Lower cylinder broom
- Pull ignition key and protect by engaging parking brake
- Remove cover

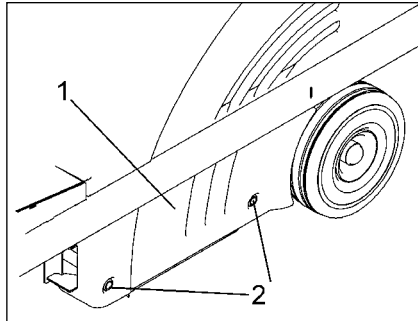


Fig.14

Remove cover

- Open locks (Fig. 14/2) by enclosed square spanner (turn counter-clockwise)
- Remove cover (Fig. 14/1)

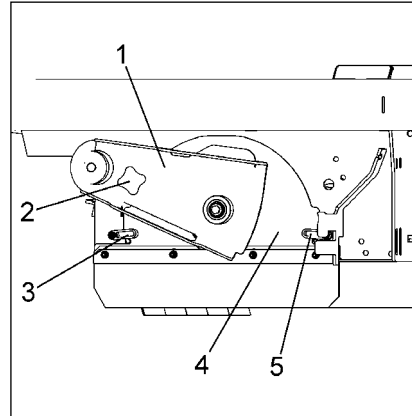


Fig.15

Dismount cylinder broom

- Loosen star-shaped knob (Fig. 15/2) and remove
- Remove cylinder broom seating (Fig. 15/1)

- Turn handle (Fig. 15/3 +5) upwards and unlock
- Remove plate with sealing strip (Fig. 15/4)
- Remove cylinder broom by pulling.

For mounting the cylinder broom proceed in inverse order.

### 6.3 Adjust Sweeping Track

An adjustment device allows adaptation to different sweeping conditions. The cylinder broom has to be adjusted for normal use and with regard to a low degree of wearing as described in the following. Check the broom adjustment on level ground as follows.



## Maintenance/Service



**Before checking:**  
Mark level surface for checking broom adjustment by chalk.



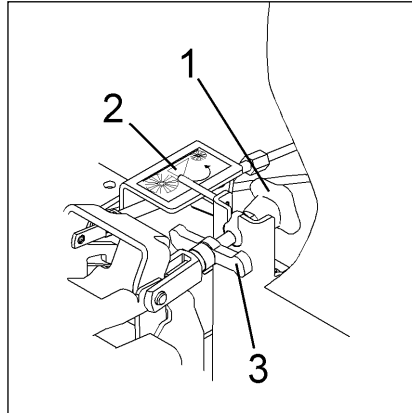
**Check inflation pressure of tyres (6bar).**

- Secure machine by engaging parking brake.
- Lower cylinder broom and let it run dry.
- Lift cylinder broom and forward the Hako-Jonas 980 V/VH a bit. With the correct broom adjustment the parallel sweeping marks have to appear on the floor (sweeping track).

The sweeping track width is to be

- 50mm with the Hako Jonas 980 V
- 50mm with the Hako-Jonas 980 VH.

The sweeping track width can be adjusted at the star-shaped knob (Fig. 16/2) as follows:



**Broom adjustment**

**Fig.16**

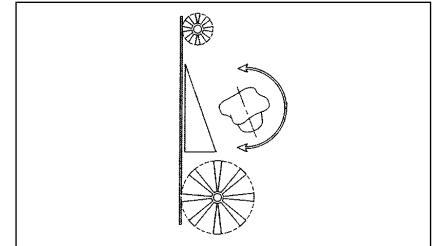
- Stop engine and pull key
- Engage parking brake
- Open seat hood
- Loosen handle (Fig. 16/3)
- Turn star-shaped knob (Fig. 16/1) to the left = wider sweeping track to the right = smaller sweeping track
- Fix handle (Fig. 16/3)
- Broom adjustment sticker (Fig. 16/2)



With one full turn of the knob, the track widens or broadens by approx. 10mm.



When exceeding the sweeping track width the cylinder broom wearing increases as well as the load of the drive.



**Fig.17**

**Fig. 17 Broom adjustment sticker (in Fig. 16/2)**

### 6.4 Sealing Strips for Broom Compartment

In order to assure good function of the sweeper, a perfect condition of the sealing strips is required, especially in order to attain the prescribed low pressure in the broom compartment, a clean sweeping result and the less possible wear of the sealing strips (check the sealing strips of the broom compartment for wearing and damages in regular intervals).

Replace defective sealing strips.

The ground clearance of the lateral and rear sealing strips is adjustable (oblong holes in the sealing strips).

Ground clearance sides:  
approx. 1mm

rear:  
approx. 4mm.

Proceed to adjustment with an inflation pressure of the pneumatic tyres of 6bar.

Height of the front sealing strip (folding apron) cannot be adjusted. Being dragged, it has contact with the floor.

### 6.5 Folding Apron Adjustment

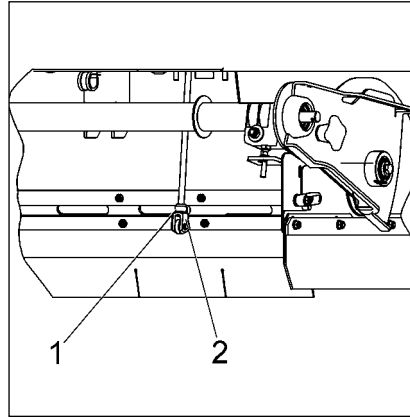


Fig.18

#### Adjust folding apron

- Turn engine off and pull key
- Secure machine by engaging parking brake
- Remove cover (as described in the paragraph "Mount/Dismount Cylinder Broom").

- Remove bolt (Fig. 18/2).
- Modify adjustment by turning the fork head (Fig. 18/1).



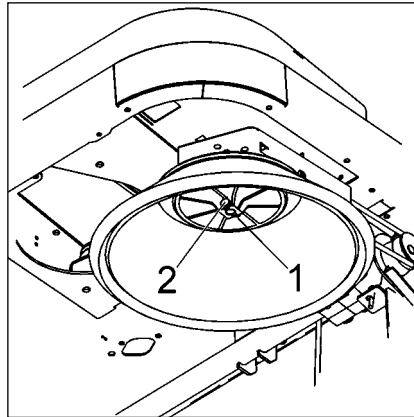
**Modify adjustment such that the cylinder broom does not retract the sealing strip of the folding apron during operation.**

### 6.6 Replace Side Brush

The side brush is located at the front right of the machine (standard version). Use the lever (paragraph 4.2, Fig. 7/9) to lift and lower the side brush.

The side brush is to be lightly inclined in forward and in outward direction. The swinging area of the side brush arm is limited by stop screws. The side brush is driven by a V-belt. Fitting of a second side brush for specific appliances is possible.

Proceed as follows for dismounting of the side brush:



Proceed in inverse order for mounting of the side brush.

#### Replace side brush

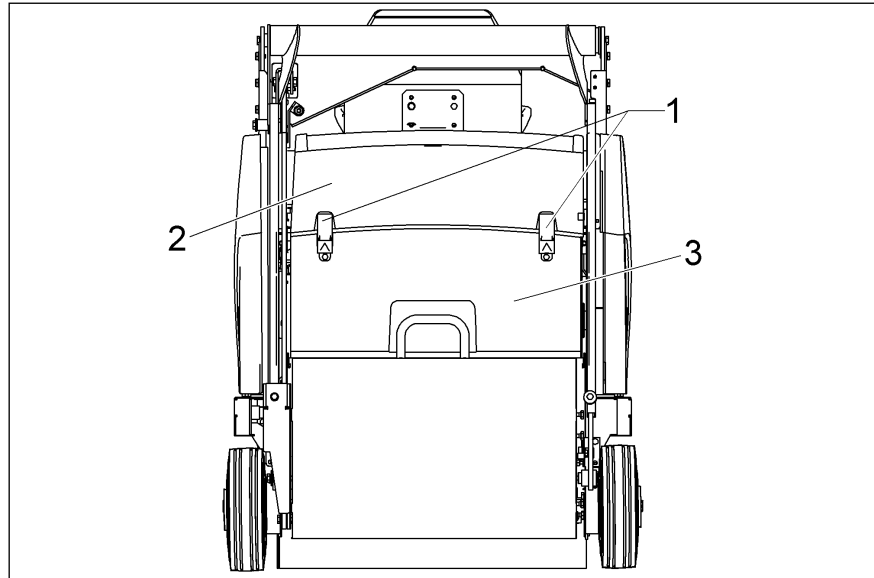
- Turn engine off and pull key.
- Secure machine by engaging parking brake
- Disconnect battery plug
- Side brush lifted
- Loosen hexagonal nut (Fig. 19/1) und remove together with washer
- Remove screw (Fig. 19/2)
- Remove side brush

### 6.7 Dismount Plate Filter

Proceed as follows for dismounting of the plate filter:

- Turn engine off and pull key.
- Secure machine by engaging parking brake
- Open seat hood
- Open quick-release locks (Fig. 20/1)
- Remove cover, filter case (Fig. 20/2)
- Loosen wing screws (Fig. 21/2) and remove.
- Fold back frame with electro-motor (Fig. 21/3).
- Hook frame at indicated position (Fig. 21/4)
- Remove plate filter (Fig. 21/5).

For mounting of plate filter proceed in inverse order.



**Fig.20**

**Dismount plate filter**

- 1 Quick-release locks
- 2 Cover of filter case
- 3 Filter case

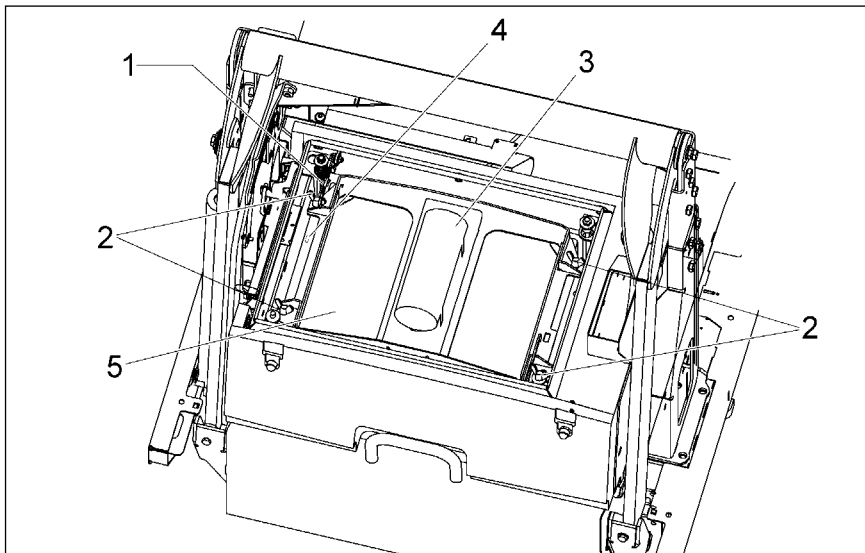


Fig.21

Plate filter

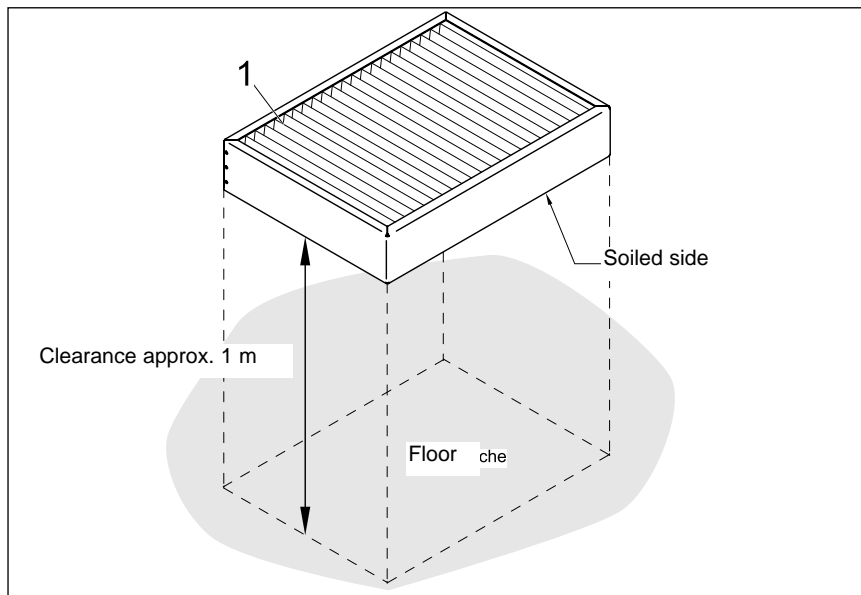
- 1 Detent hook
- 2 Wing screws
- 3 Frame with electro-motor
- 4 Opening for detent lever
- 5 Plate filter

### 6.8 Basic Cleaning of Plate Filter

Hold the plate filter (Fig. 22/1) in vertical position and drop it from a height of approx. 1 m to the even floor as represented in Fig. 22.



**The soiled side of the filter points to the bottom.**



**Fig.22**

**Basic cleaning of plate filter**

1 Plate filter

### 6.9 Hako-Jonas 980 V/VH

#### 6.9.1 Engine

The engine is a robust four-stroke engine and easy-to-maintain. Maintenance work is to execute at regular intervals. Find the details described in the following.



**Before cleaning or maintaining the machine as well as before replacing parts, turn the engine off and pull the ignition key.**

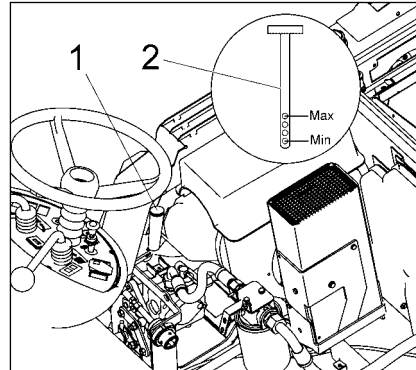
**Use appropriate tools for maintenance, service, setting etc.**

**As far as aspects of safety are concerned, spare parts will have to be at least of the same quality as the genuine spare parts.**

#### 6.9.2 Check Engine Oil Level



**Position the machine on level ground before checking the engine oil level as follows:**



Engine oil level check



**If the machine has not been used for a longer time, let the engine run to have the oil attained appropriate temperature.**

- Turn engine off and pull key.
- Secure machine by engaging parking brake
- Open seat hood
- Pull plug (Fig. 23/1) with dipstick.
- Wipe dipstick, push it into opening until stop and pull it again.
- Oil level has to mark between minimum and maximum, refill engine oil if required.
- Re-insert plug.



**The engine stops automatically in case of insufficient oil level to preclude damages.**

### 6.9.3 Change Engine Oil

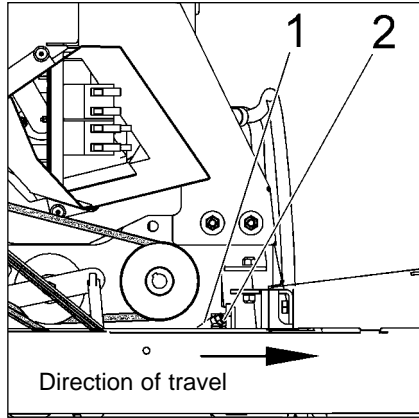


Fig.24

Engine oil changing, right side of machine



**Caution!**  
Burning hazard at muffler pipe!



If the machine has not been used for a longer time, let the engine run to have the oil attained appropriate temperature.

**Proceed to the following before changing engine oil:**

- Turn engine off and pull key.
- Secure machine by engaging parking brake.
- Open seat hood.
- Loosen quick-release locks (Fig. 20/1).
- Remove cover, filter case (Fig. 20/2).
- Loosen screws at the inside of the right lateral fairing and remove.
- Lightly tilt lateral fairing to the outside then remove by pulling up.
- Remove drain hose (Fig. 24/1) from holding clamp (Fig. 24/2) and lead it downwards through the vehicle frame.
- Loosen clamp, pull drain plug from the hose and drain oil.
- Close drain hose (Fig. 24/1) by plug and protect with clamp.

- Fasten drain hose (Fig. 24/1) at holding clamp.
- Fill engine oil into check opening with the machine standing on level ground.
- Check oil level with dipstick, continue filling if required

Engine oil: SAE 15 W-40  
Filling: approx. 1.1 litre



**Use an oil-resistant funnel for filling engine oil.**

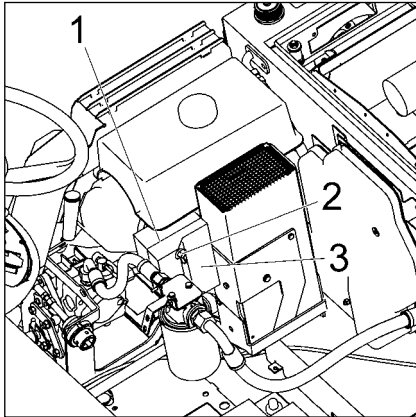
### 6.9.4 Air Cleaner

The air cleaner is located in the engine's compartment. Clean the foam-type filter after every 50 hours of operation and the paper insert after every 100 hours of operation.



**Proceed to daily cleaning of the air cleaner with heavy dust formation.**





Air cleaner

Fig.25

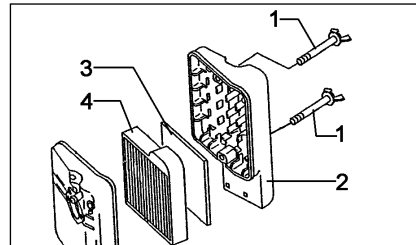
- 1 Air cleaner
- 2 Wing screw
- 3 Air cleaner cap with filtering insert



**A soiled filtering insert may lead to reduced performance and heavy smoking of the engine. Never let the engine run without filtering insert.**

Replace filtering insert as required. Proceed as follows for dismantling the filtering insert:

- Unscrew wing screw (Fig. 25/2) and remove filter cap (Fig. 25/3) with filtering insert.
- Remove foam-type filter and paper filter (Fig. 26/3 and 4) and proceed to dry cleaning or replace if required.



Air cleaner components

Fig.26

- 1 Wing screw
- 2 Air cleaner cap
- 3 Foam-type filter
- 4 Paper filter

## 6.10 Hydraulic System

The hydraulic units are oil- and maintenance-free. The hydraulic oil and filters are concerned by maintenance work only. Premature failure can be prevented by regular inspection and periodical maintenance (see maintenance schedule page 57 and following).



**We recommend having all other works at the hydraulic system done by qualified personal.**

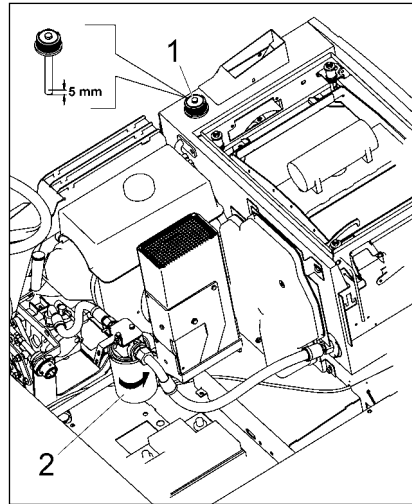
## Maintenance/Service

### 6.10.1 Check Hydraulic Fluid Level

- Turn engine off and pull key.
- Secure machine by engaging parking brake.
- Open seat hood.
- Unscrew cap with dipstick (Fig. 27/1)
- Wipe dipstick by means of cloth
- Screw cap until stop
- Unscrew cap with dipstick and check hydraulic fluid level, refill if required

### 6.10.2 Refill Hydraulic Fluid

- Unscrew cap with dipstick and check hydraulic fluid level according to paragraph 6.10.1.
- Use appropriate oil-resistant recipient with mouth or funnel for refilling
- Proceed to check of fluid level after refilling



**Fig.27**

#### Hydraulic fluid filter

- 1 Filler neck
- 2 Hydraulic oil filter

- Filling is sufficient if the bottom end of the dipstick immerses into the fluid for approx. 5mm.

### 6.10.3 Change Hydraulic Fluid Filter

The hydraulic fluid filter is located in the pump line and equipped with a bypass valve in order to guarantee fluid supply of the travel drive assembly even if the fluid filter is soiled. Change the fluid filter after the first 100 hours of operation.

- Turn hydraulic fluid filter (Fig. 27/2) counter-clockwise to loosen it and unscrew
- Before screwing new filter, fill it with oil
- Ride the machine a short distance
- Refill sufficient hydraulic fluid
- Check fluid filling level

Hydraulic fluid: Mobil DTE 15 M or a fluid of similar quality.

## Maintenance/Service

Should it be required to drain the hydraulic fluid completely proceed as follows:

- Turn engine off and pull key.
- Secure machine by engaging parking brake.
- Remove right-hand dirt hopper (Hako-Jonas 980 V only) or lift the dirt hopper of the Hako-Jonas 980 VH, see paragraph 4.4.
- Place recipient under the drain plug (drain plug is located underneath the filter case at the right) and remove drain plug.

### 6.10.4 Check and Refill Hydraulic System Lifted-Up Disposal

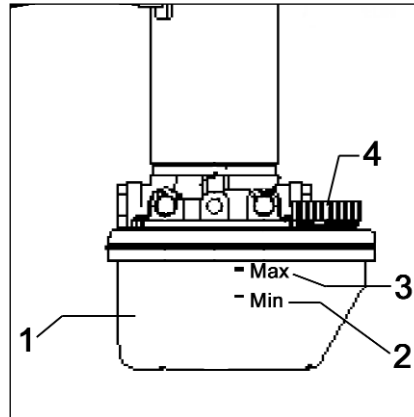


Fig.28

#### Hydraulic unit lifted-up disposal

Check hydraulic fluid level

- Turn engine off and pull key.
- Secure machine by engaging parking brake.
- Open seat hood

- Check hydraulic fluid level in tank (Fig. 28/1). The hydraulic fluid level must not fall below the minimum (Fig. 28/2). It should read between the minimum (Fig. 28/2) and the maximum (Fig. 28/3).

Refill hydraulic fluid

- Remove lid (Fig. 28/4) and refill as required.
- Close lid of hydraulic fluid tank.

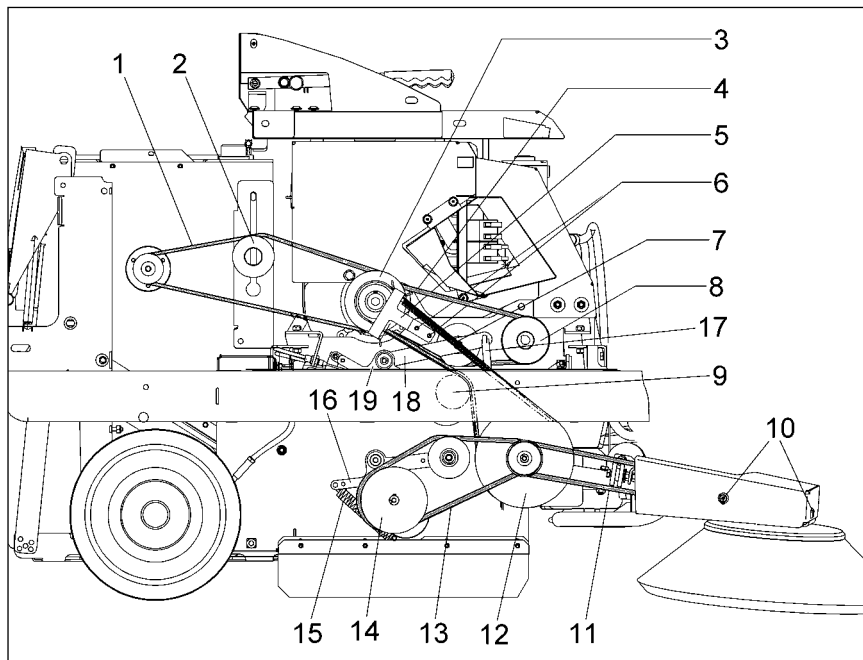
Use Mobiloil DTE 15 M fluid or a hydraulic fluid of similar quality.



**Dirt hopper has to be lowered.**

**6.11 Hako-Jonas 980 V/VH V-Belt Drive**

- 1 Suction fan V-belt (40Hz)
- 2 Tensioning roller
- 3 V-belt pulley
- 4 Hydraulic pump V-belt
- 5 Belt guide
- 6 Hexagonal nut
- 7 V-belt for cylinder broom and side brush drive
- 8 Hydraulic pump belt pulley
- 9 Tensioning / coupling roller
- 10 Screws
- 11 Side brush V-belt
- 12 Belt pulley
- 13 Cylinder broom V-belt
- 14 Cylinder broom belt pulley
- 15 Tension spring
- 16 Tensioning roller lever
- 17 Tension spring
- 18 Tensioning roller lever for hydraulic pump V-belt
- 19 Tensioning roller lever for cylinder broom and side brush drive



V-belt drive Jonas 980 V/VH

Fig.29

## Maintenance/Service

### 6.11.1 Replace Cylinder Broom V-Belt

- Turn engine off and pull key.
- Secure machine by engaging parking brake.
- Remove bottom right fairing (turn locks counter-clockwise by square spanner).
- Detent tensioning spring (Fig. 29/15) by left hand while taking the V-belt off the tensioning roller with right hand.
- Remove V-belt (Fig. 29/13).

Proceed in inverse order for mounting.

### 6.11.2 Replace Side Brush V-Belt

- Turn engine off and pull key.
- Secure machine by engaging parking brake
- Remove bottom right cover (turn locks counter-clockwise by square spanner).
- Remove cylinder broom V-belt (as described in paragraph "Replace Cylinder Broom V-Belt")
- Loosen screws (Fig. 29/10) at the cover plate and remove
- Remove cover plate
- Push side brush from the front side in direction of the machine to detent V-belt (Fig. 29/11)
- Remove V-belt (Fig. 29/11)

Proceed in inverse order for mounting.

### 6.11.3 Replace Suction Fan V-Belt

- Turn engine off and pull key.
- Secure machine by engaging parking brake
- Open seat hood
- Loosen hexagon nuts (Fig. 29/6) and remove together with belt guide (Fig. 29/5)
- Detent V-belt (Fig. 29/7) with tensioning roller lever (Fig. 29/19) and take from the belt pulley
- Loosen tensioning roller (Fig. 29/2) and detent the V-belt, and then remove.

Proceed in inverse order for mounting.

### 6.11.4 Replace Hydraulic Pump V-Belt

- Turn engine off and pull key.
- Secure machine by engaging parking brake
- Open seat hood
- Loosen hexagon nuts (Fig. 29/6) and remove together with belt guide (Fig. 29/5)
- Detent V-belt (Fig. 29/7) with tensioning roller lever (Fig. 29/19) and take from the belt pulley
- Loosen tensioning roller (Fig. 29/2) and detent the V-belt, and then remove.
- Unhinge tension spring (Fig. 29/17).
- Remove V-belt (Fig. 29/4).

Proceed in inverse order for mounting.

### 6.12 Hako-Jonas 980 V/VH Electric System

- 1 F2 Pre-fuse (20A)
- 2 F3 Engine shutdown, hourmeter (5A)
- 3 F4 Indicators control panel, jolter controlling, (front right lighting option, right rear light (5A)
- 4 F5 Horn (10A)
- 5 F7 LPG equipment option (10A)
- 6 F8 Front left lighting option, left rear light (7.5A)
- 7 F9 Lifted-up disposal control (6502.50) (7.5A)
- 8 F10 LPG equipment option (10A)
- 9 F11 Shaking motor (30A)
- 10 F12 Generator charge status indicator (5A)
- 11 F14 Flashlight option (5A)
- 12 LPG option control unit
- 13 K6 Relay, lifted-up disposal (6502.50)
- 14 K7 Relay, lifted-up disposal (6502.50)
- 15 K8 Relay, lifted-up disposal (6502.50)

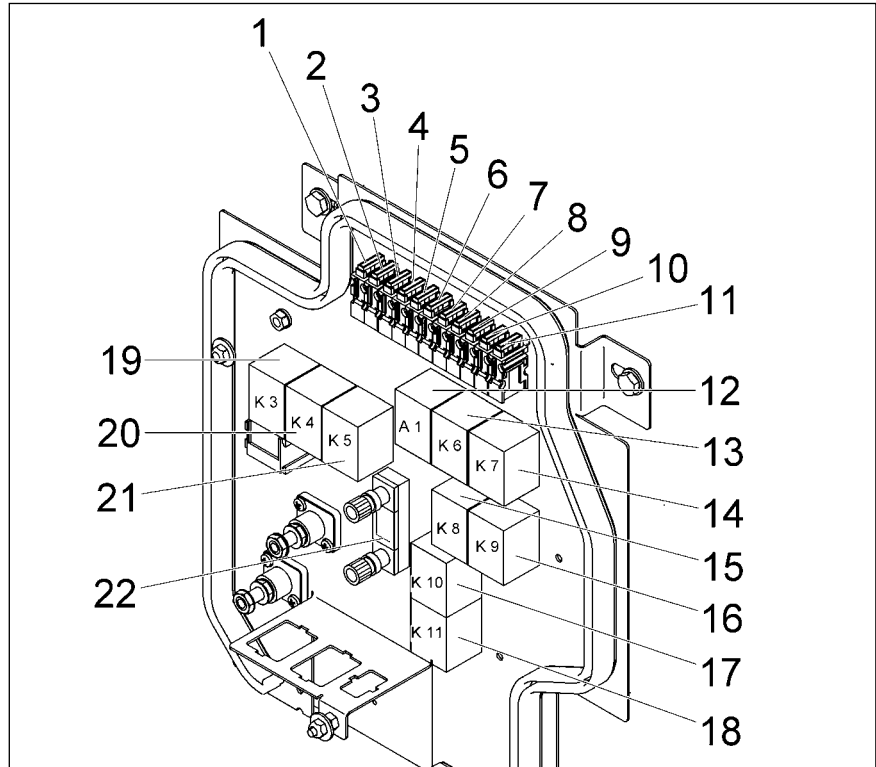
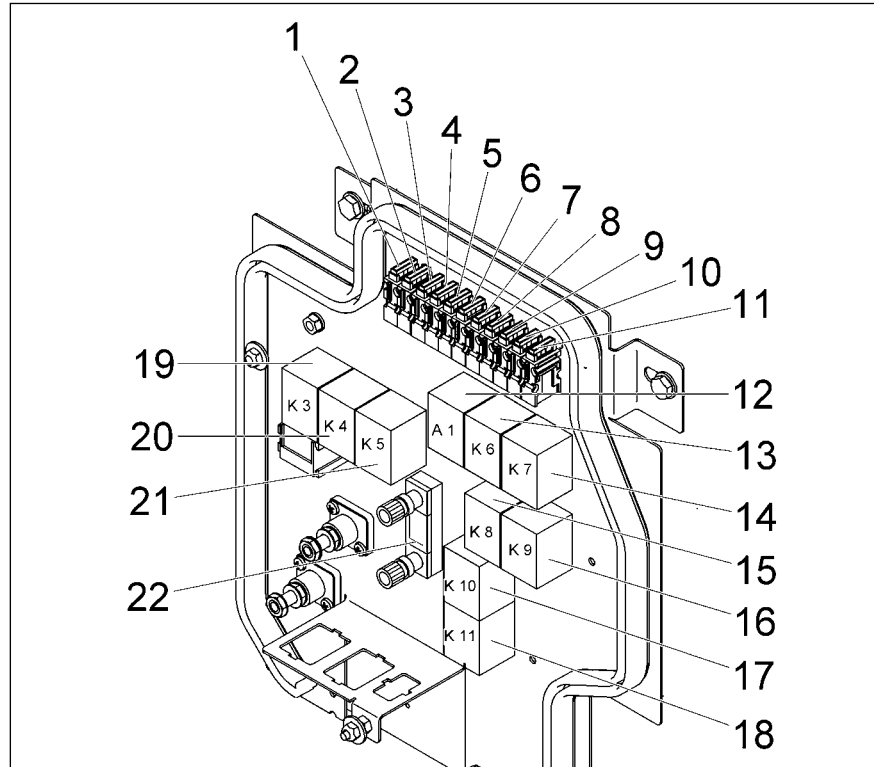


Fig.30

**Hako-Jonas 980 V/VH Electric System, continued**

- 16 K9 Relay, lifted-up disposal (6502.50)
- 17 K10 Relay, lift hopper (6502.50)
- 18 K11 Relay, lower hopper (6502.50)
- 19 K3 Relay
- 20 K4 Relay, filter monitoring
- 21 K5 Relay, impulse relay shaking
- 22 F13 Hydraulic unit for lifted-up disposal (6502.50) (30A)



**Fig.30**



Maintenance/Service					
6.13 Hako-Jonas 980 V/VH (6502.30/50) Maintenance Schedule	hours of operation				
	Daily	after first	every 100	every 200	every 500
Check engine oil level and refill if required	X				
Check fuel level and refill if required (regular unleaded)	X				
Replace fuel filter (as required)				X	
Change engine oil (1.1 litre engine oil SAE 15-W-40)		5	X		
Check engine air cleaner for soiling and clean if required (tap, do not use compressed air), replace air cleaner insert if required	X		X		
Visual check of engine, pump and wheel motor for oil leakage			X		
Check idling and service speed (1,200rpm and 2475rpm)				X	
Check spark plug air gap (0.75mm)			X		
Replace spark plugs				X	
Check valve play (0.15mm inlet, 0.15mm outlet) each in cold state				X	
Check starter battery acid level and top with distilled water if required, clean and grease battery terminals			X		
Change hydraulic fluid filter and refill fluid (use Mobiloil DTE 15 M or fluid of equivalent quality)		100			X
Check cables and plugged connections for damages and tight fit				X	

Maintenance/Service					
6.13 Hako-Jonas 980 V/VH (6502.30/50) Maintenance Schedule	hours of operation				
	Daily	after first	every 100	every 200	every 500
Check function of seat contact switch				X	
Check exhaust system				X	
Check inflation pressure (6bar)	X				
Check cylinder broom for wearing or foreign particles (e.g. wire, straps) and replace broom if required	X				
Check sweeping track and adjust if required			X		
Check sealing strips at the broom compartment, adjust if required or replace defective sealing strips			X		
Check sealing strips at dirt hopper, replace defective sealing strips				X	
Check side brush adjustment and brush bristles for wearing, adjust if required or replace side brush			X		
Visual check of V-belts	X				
Check V-belt for wearing and correct tension and re-adjust if required		5	X		
Check service/parking brake and re-adjust if required			X		
Check filter system for tightness			X		
Dismount plate filter and clean if required			X		
Check tread of wheels				X	

Maintenance/Service					
6.13 Hako-Jonas 980 V/VH (6502.30/50) Maintenance Schedule	hours of operation				
	Daily	after first	every 100	every 200	every 500
Check hydraulic fluid level of lifted-up disposal function and refill if required			X		
Check tightening moment of fixing screws for lifted-up disposal and tighten if required (49Nm)		5	X		
Check hydraulic hoses and replace if required				X	
Check tension of steering chain and adjust tension if required				X	

## 7 Special Equipment

Designation	Description		Order no.
Solid rubber tyres	Set of puncture-safe SE-Superelastic tyres 4.00-4, leaving no traces (3 wheels on rim)		6512
Solid rubber tyres	Set of puncture-safe SE-Superelastic tyres 4.00-4, (3 wheels on rim)		6516
L-h side brush system	With deflector plate, without brush		6517
Protective roof	Hako-Jonas 980 model		6504
Flashlight	For mounting on protective roof or direct fitting		6505
Comfort seat	Seat features adjustable cushioning		7093
Lighting system	Including two front and two rear lights, rear and lateral reflectors (according to German StVZO §66a)		6506
High performance Filter	Superfine filter with special coating for dust-free sweeping in problematic areas		6515

## 8 Spare Parts

<b>Designation</b>	<b>Description</b>		<b>Order no.</b>
Cylinder broom	PA bristling (standard for V machine versions)		6511
Cylinder broom	PES bristling (standard for E machine versions)		6510
Side brush	PA bristling (standard for V machine versions)		6513
Side brush	PES bristling (standard for E machine versions)		6514



EC Declaration of Conformity according to Directive 98/37/EG

**Hako-Werke GmbH**  
**Hamburger Straße 209-239**  
**D-23843 Bad Oldesloe**

declare under our sole responsibility,  
that the product

**Hako-Jonas 900 / 980**  
**Typ: 6502**

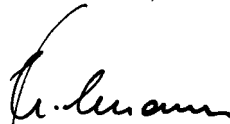
to which this declaration relates, corresponds to the relevant basic safety and health requirement of the Directive 98/37/EC, and to the requirements of the relevant Directives:

-89/336/EEC

For the relevant implementation of the safety and health requirements mentioned in the Directives, the following standard (s) and/or technical specification (s) has (have) been respected:

**DIN EN 60335-2-72**  
**DIN EN 61000-6-3**  
**DIN EN 61000-6-2**

Bad Oldesloe, 14. 11. 2003



Bernd Heilmann  
Geschäftsleitung

# Maintenance Document

<p><b>100 operating hours Maintenance</b> Workshop stamp</p> <p>carried out on _____ at _____ operating hours</p>	<p><b>200 operating hours Maintenance</b> Workshop stamp</p> <p>carried out on _____ at _____ operating hours</p>	<p><b>300 operating hours Maintenance</b> Workshop stamp</p> <p>carried out on _____ at _____ operating hours</p>	<p><b>400 operating hours Maintenance</b> Workshop stamp</p> <p>carried out on _____ at _____ operating hours</p>
<p><b>500 operating hours Maintenance</b> Workshop stamp</p> <p>carried out on _____ at _____ operating hours</p>	<p><b>600 operating hours Maintenance</b> Workshop stamp</p> <p>carried out on _____ at _____ operating hours</p>	<p><b>700 operating hours Maintenance</b> Workshop stamp</p> <p>carried out on _____ at _____ operating hours</p>	<p><b>800 operating hours Maintenance</b> Workshop stamp</p> <p>carried out on _____ at _____ operating hours</p>
<p><b>900 operating hours Maintenance</b> Workshop stamp</p> <p>carried out on _____ at _____ operating hours</p>	<p><b>1000 operating hours Maintenance</b> Workshop stamp</p> <p>carried out on _____ at _____ operating hours</p>	<p><b>1100 operating hours Maintenance</b> Workshop stamp</p> <p>carried out on _____ at _____ operating hours</p>	<p><b>1200 operating hours Maintenance</b> Workshop stamp</p> <p>carried out on _____ at _____ operating hours</p>



Notes

# **Hako**

---

## **Spitzentechnik für eine saubere und schönere Umwelt**

Superior technology for a cleaner and better environment



Hako-Werke GmbH · Stammwerk und Hauptverwaltung · Headquarter  
Hamburger Str. 209-239 · D-23843 Bad Oldesloe · ☎ (045 31) 806-0 · Fax (045 31) 806-338